

## Stainless Steel Posts for ANPR and Traffic Signal

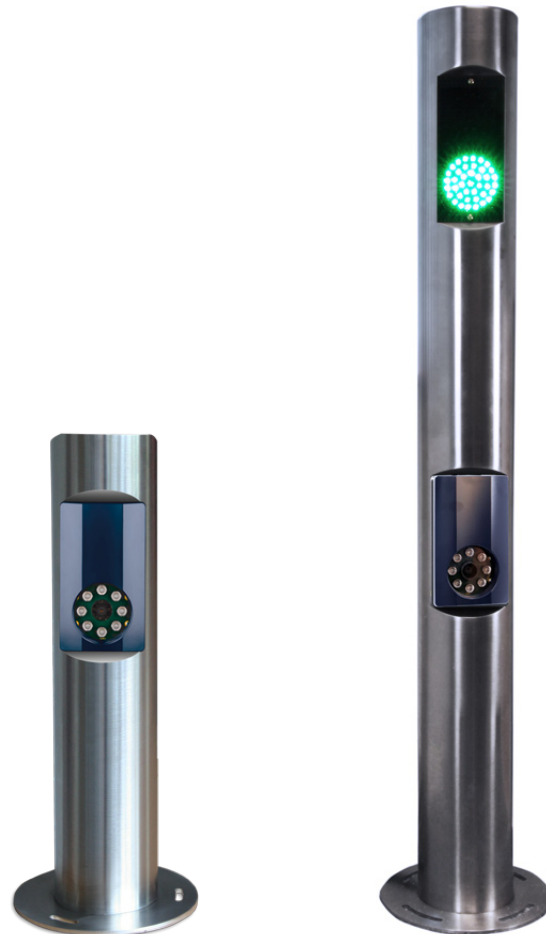
### Product Description

The SSP-ANPR and SSDP-ANPR stainless steel posts are each designed to house the Nedap ANPR camera in an attractive roadside post/bollard. The SSDP-ANPR is a dual height post that includes integral traffic signals.

The ANPR camera is mounted at the ideal height (585mm to lens) for reading standard number plates. It is contained within the body of the post with no restriction to either the lens or IR lighting.

Once fitted, the rear of the camera can be accessed via a service panel.

The traffic signal mounted at the top of the SSDP-ANPR may be controlled directly from the access controller or barrier logic using individual 24V control signals for each of the red and green LED clusters.



### Features

- ▶ Attractive brushed stainless steel housing
- ▶ Ideal camera height for standard licence plates
- ▶ Integral red and green LED traffic lights (SSDP-ANPR)
- ▶ Robust bollard style housing with 300mm base plate
- ▶ Support all Nedap ANPR cameras

### Specifications

#### Single Height Post

Dimensions (mm):	Total height: 858; Post diameter: 168; baseplate diameter: 300
Weight:	Approx. 12.5 kg
Material:	Stainless steel AISA 316L
Wall thickness:	3mm

#### Dual Height Post

Dimensions (mm):	Total height: 1508; Post diameter: 168; baseplate diameter: 300
Weight:	Approx. 21 kg
Material:	Stainless steel AISA 316L
Wall thickness:	3mm

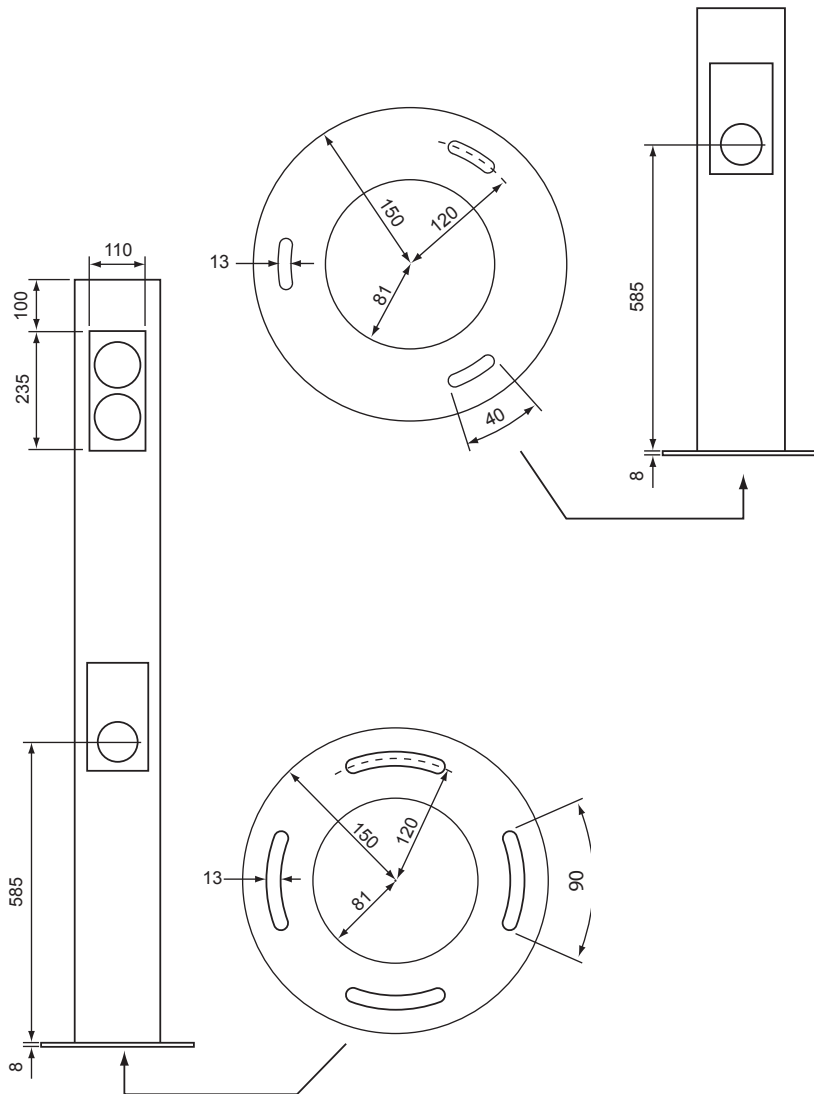
#### LED Lights

Diameter:	90mm
Voltage:	24 Vdc/ac
Viewing angle:	30°
Brightness:	5500 mcd per LED red x 40 pcs. each cluster 4900 mcd per LED green x 40 pcs. each cluster

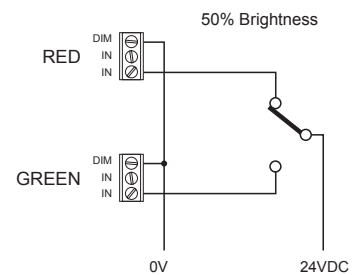
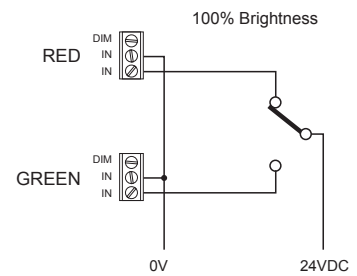
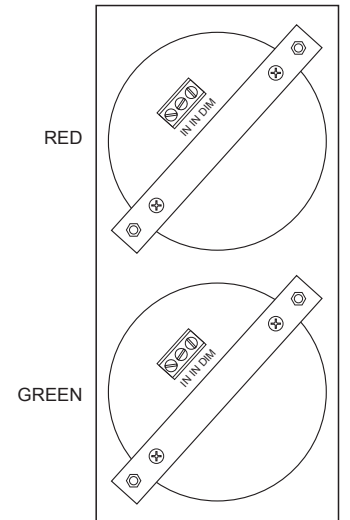
## Stainless Steel Posts for ANPR and Traffic Signal

### Technical Information

#### Dimensions



#### Traffic Lights - Typical Wiring



### Ordering Information

**SSPD-ANPR** Stainless steel dual height post for ANPR and traffic signal

**SSP-ANPR** Stainless steel bollard housing for ANPR

### Complementary Products

**9986057** ANPR Access V2 Short-Range Licence Plate Reader

**9986138** ANPR Lumo Licence Plate Reader

**9986898** ANPR Access V2 Long-Range Licence Plate Reader

**7657870** ANPR power adapter (24VDC 1A, 100-240VAC)