

AMS-EBIR3-RG Proximity Exit Button

Product Description

The AMS-EBIR3-RG proximity exit button is an attractive stainless steel exit button that fits a standard UK back box. It can be fitted as flush-mount or it can be accompanied by a surface-mount back box. In addition to its elegant design, it incorporates an infra-red sensor to detect a hand or other obstacle that enters the detection field (adjustable between 3 and 20 centimetres). This precludes the need for contact with the button and avoids the use of mechanical components.

This device is designed for use in applications where it is necessary to open a door without physically touching the device. This helps to minimise contamination and spread of infection making it particularly suitable for use in hospitals, laboratories, engineering facilities, food preparation and serving areas and other clean environments. They are also ideal for buildings used by disabled or elderly people.



Features

- ▶ Uses standard UK switch box
- ▶ Aesthetically pleasing
- ▶ Durable stainless steel faceplate
- ▶ Low profile (15mm)
- ▶ Standby/activated LED illumination
- ▶ Adjustable Contact Latch Time
- ▶ Adjustable IR Detection Range
- ▶ Flush or surface mount options

Specifications

Electrical

Input Voltage:	12 to 20Vdc
Max. Current:	30mA (when activated) / 23mA (Quiescent) @ 12Vdc
Contact Rating:	1A @ 30Vdc (max)

Environment

Operating Temp:	-10°C to +70°C
-----------------	----------------

Physical

Life:	IR Sensor > 100,000hrs / Relay > 1000,000hrs
Case:	Stainless Steel
Panel size:	Standard (UK) 86x86mm
Req'd panel depth:	15mm

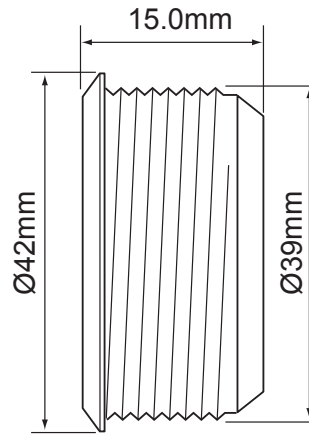
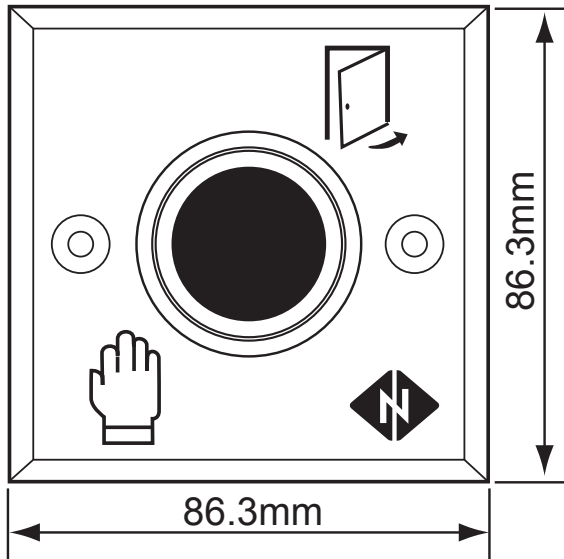
Operational

Available contacts:	Normally Open & Normally Closed
Operating distance:	3 to 20cm* (adjustable)
Latch time:	0.8 to 30 secs (adjustable)

* Note: Different materials have different reflective rates. This value is based on 18% neutral grey card.

AMS-EBIR3-RG Proximity Exit Button

Technical Data



CONNECTIONS

Connections are made to the switch using the supplied 5 pin plug. Correct orientation of the plug is ensured by connector locating guides.

Connect as follows:

Red	-	+ve Supply
Brown	-	0v Supply
Green	-	Normally Closed
Blue	-	Common
Purple	-	Normally Open

Ordering Information

AMS-EBIR3-RG IR sensor exit button. UK back box mount