

Proximity Exit Button Installation Instructions

Follow these instructions carefully to ensure safe and reliable operation. Retain this leaflet for future reference. Ensure that the power is switched off before installing or maintaining any device.

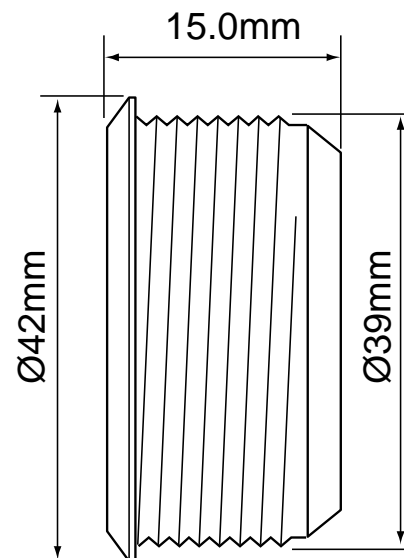
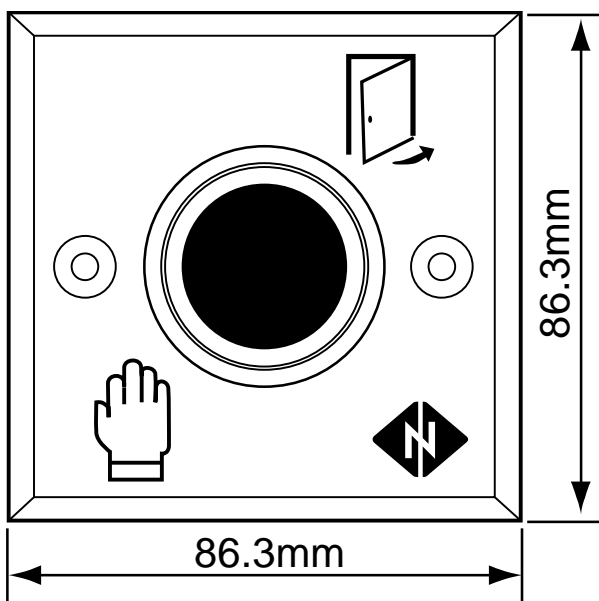
PRECAUTIONS

- Before installation, check correct supply voltage and polarity.
- Ensure no object is blocking the sensor on power up.
- The unit carries out a self test function at power up activating the LED (not the relay) for 1 sec.
- Do not conduct any modifications to the unit as this will invalidate the warranty.

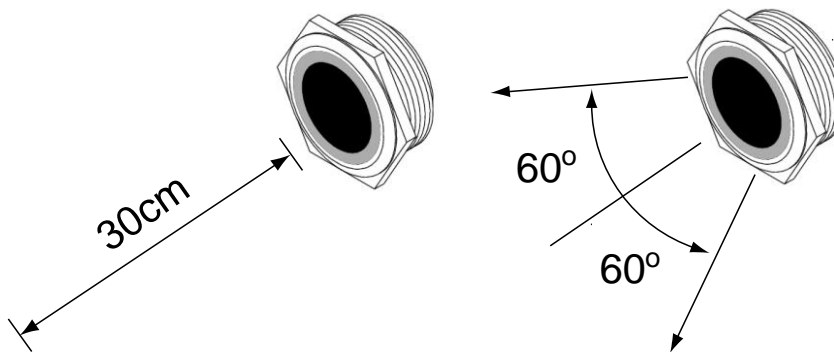
MOUNTING THE PANEL

Fit the switch to an appropriate back box. The switch panel fits a standard UK back box for either flush or surface mounting depending on the application. A matching surface mount box is available from Nortech (part no. AMS-EBIR-BOX-SS).

Alternatively, the switch component can be removed from the panel and installed directly on a third party panel through a suitable size hole using its retaining nut. Fit the supplied rubber washer to the front face of the switch. The switch component is rated at IP65.



In order to ensure unimpeded operation of the Infra Red switch, please make sure that there are no objects or any obstacles within 30cm (60° to the left & right) of the panel, to avoid interference.



CONNECTIONS

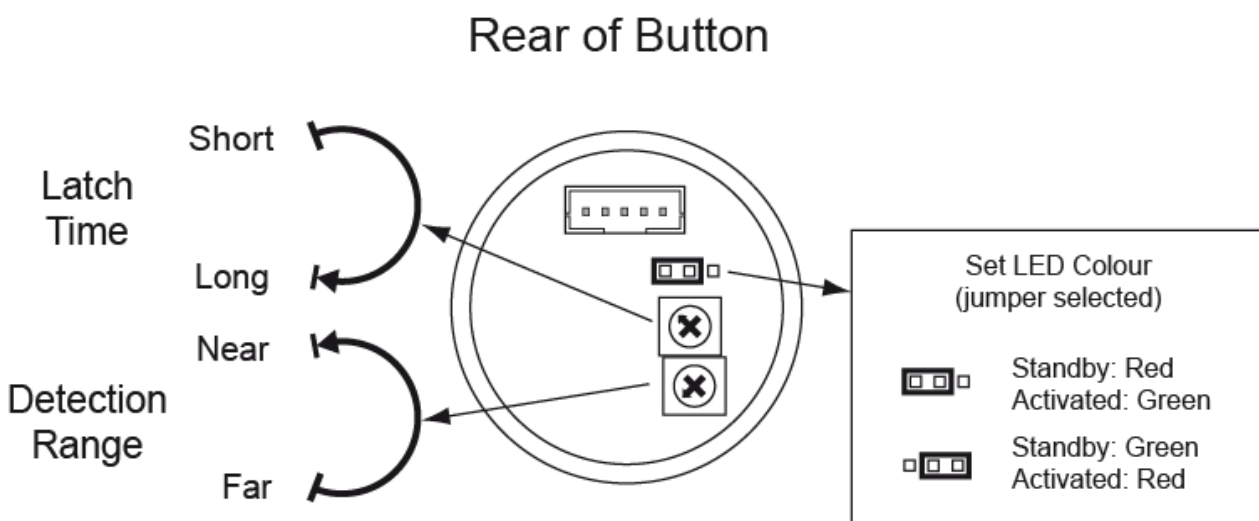
Connections are made to the switch using the supplied 5 pin plug. Correct orientation of the plug is ensured by connector locating guides.

Please ensure the following colour code is adhered to:

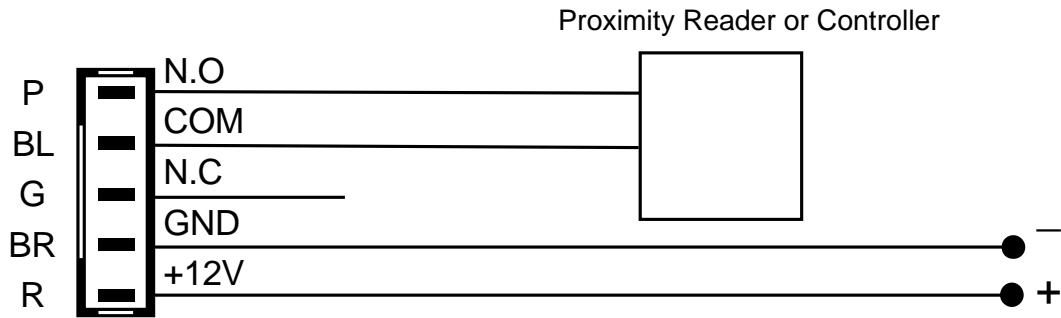
Red	-	+ve Supply
Brown	-	0v Supply
Green	-	Normally Closed
Blue	-	Common
Purple	-	Normally Open

To activate the switch, pass your hand across the face of the device, once activated the LED colour will change for the set 'latch' time.

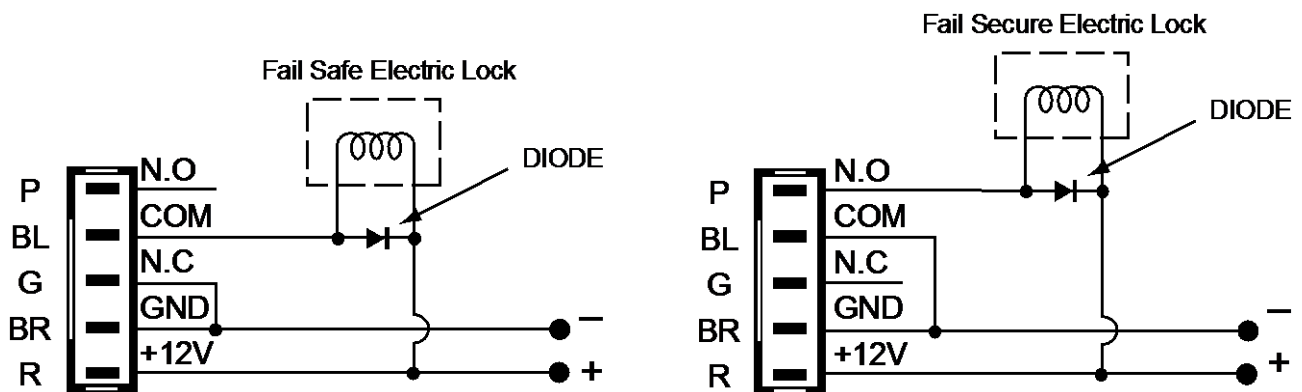
To increase or decrease the detection range or the latch time adjust the relevant potentiometer at the rear of the device as described below:



TYPICAL APPLICATIONS



Note: When connecting the device to the 'Free Exit' input of an access control unit, we recommend that you set the latch time to the same value as that set in the access control unit so that the LED colour correctly reflects the lock status.



TROUBLESHOOTING

Issue: Device continuously activated.

Likely Cause:

- Ensure no obstacles are in the detection range of the device.
- Reduce detection range if the switch is being activated by a close proximity source.
- Check the supply voltage is within the specified range.

Issue: Device does not activate.

Likely Cause:

- Increase detection range to ensure it is not set to low.
- Check the supply voltage is within the specified range.

SPECIFICATION

Operating environment temperature:	-10°C to +70°C
Operating distance:	3 to 20cm* (adjustable)
Latch time:	0.8 to 30 secs (adjustable)
Input Voltage:	12 to 20Vdc
Max. current:	30mA (when activated) / 23mA (Quiescent) @ 12Vdc
Contact Rating:	1A @ 30Vdc (max)
Available contacts:	Normally Open & Normally Closed
Life:	IR Sensor > 100,000hrs / Relay > 1000,000hrs
Case:	Stainless Steel
Panel size:	Standard (UK) 86x86mm
Required panel depth:	15mm

* **Note:** Different materials have different reflective rates. This value is based on 18% neutral grey card.