

## TCP/IP-220 TCP/IP Adaptor

### Product Description

The TCP/IP-220 network adaptor enables management communication using TCP/IP as well as RS485 to provide an extremely flexible means of linking the door controllers to the management PC.

The TCP/IP-220 adaptor is a daughter board that can be fitted to any CRC220 or CRC221 door controller PCB. This enables TCP/IP communications to the Norpass3 hosting PC, effectively replacing the integral RS485 communications interface. It has a standard Ethernet socket that enables it to be connected to a network point using an Ethernet patch cable. An RS485 port on the adaptor allows the connection to up to 31 additional door controllers via an RS485 bus so that Norpass3 can manage them over the same TCP/IP port, thereby enabling flexible use of the available cabling infrastructure.

The fitting of a TCP/IP-220 adaptor is quick and simple and can be fitted to any of the door controllers on the system according to the availability of existing or planned data communications installations.



### Features

- ▶ Enables communication over an existing data network infrastructure saving installation time and cost
- ▶ Combining TCP/IP with RS485 allows network optimisation to reduce installation cost
- ▶ Quick and easy to fit to new and existing controllers
- ▶ Device installation software simplifies IP address assignment and network configuration

### Specifications

#### Electrical

Supply Voltage:	5VDC
Supply Current:	Typically 230mA

#### Physical

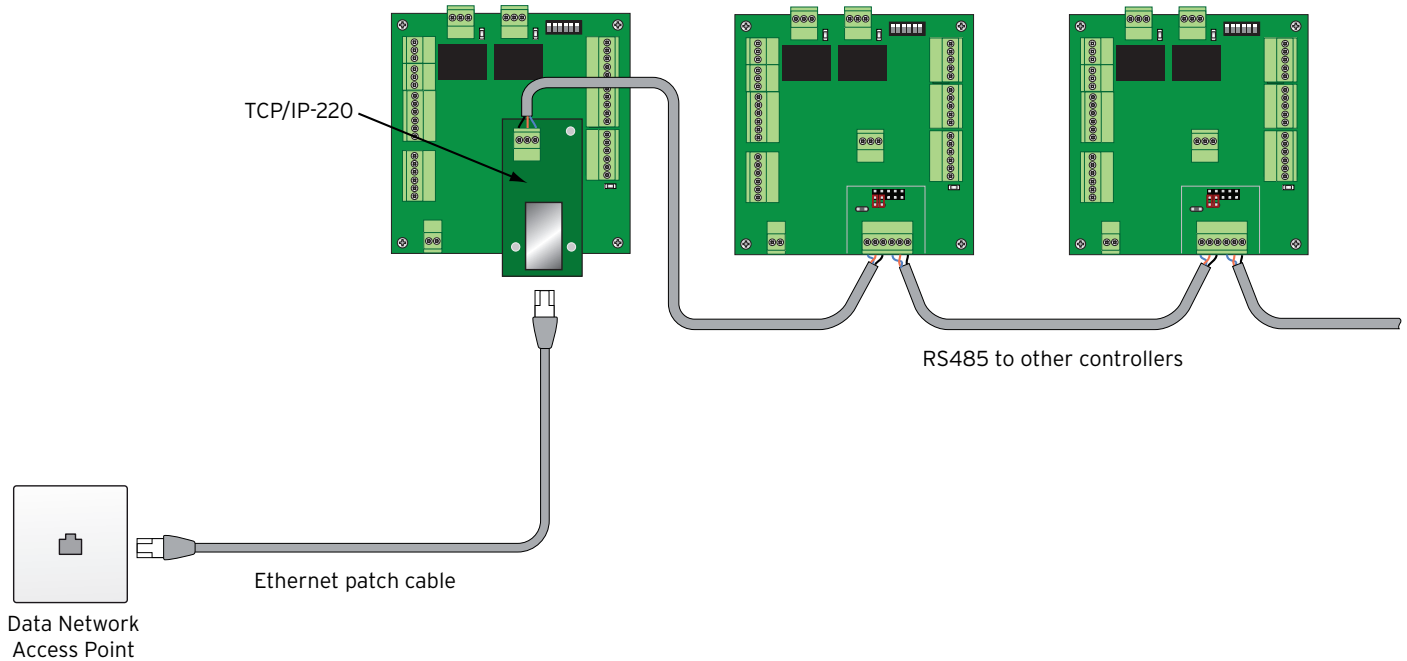
Dimensions (mm):	72 x 35 x 25 (H x W x D)
------------------	--------------------------

#### Environment

Operating Temp:	0°C to +70°C
Storage Temp:	-20°C to 85°C
Relative Humidity:	95% non-condensing

## TCP/IP-220 TCP/IP Adaptor

### Technical Data



### Ordering Information

**TCP/IP-220** Upgrade TCP/IP interface module for fitting to CRC220 or CRC221. Allows up to 32 controllers linked over an RS485 network to be controlled via a TCP/IP port.