



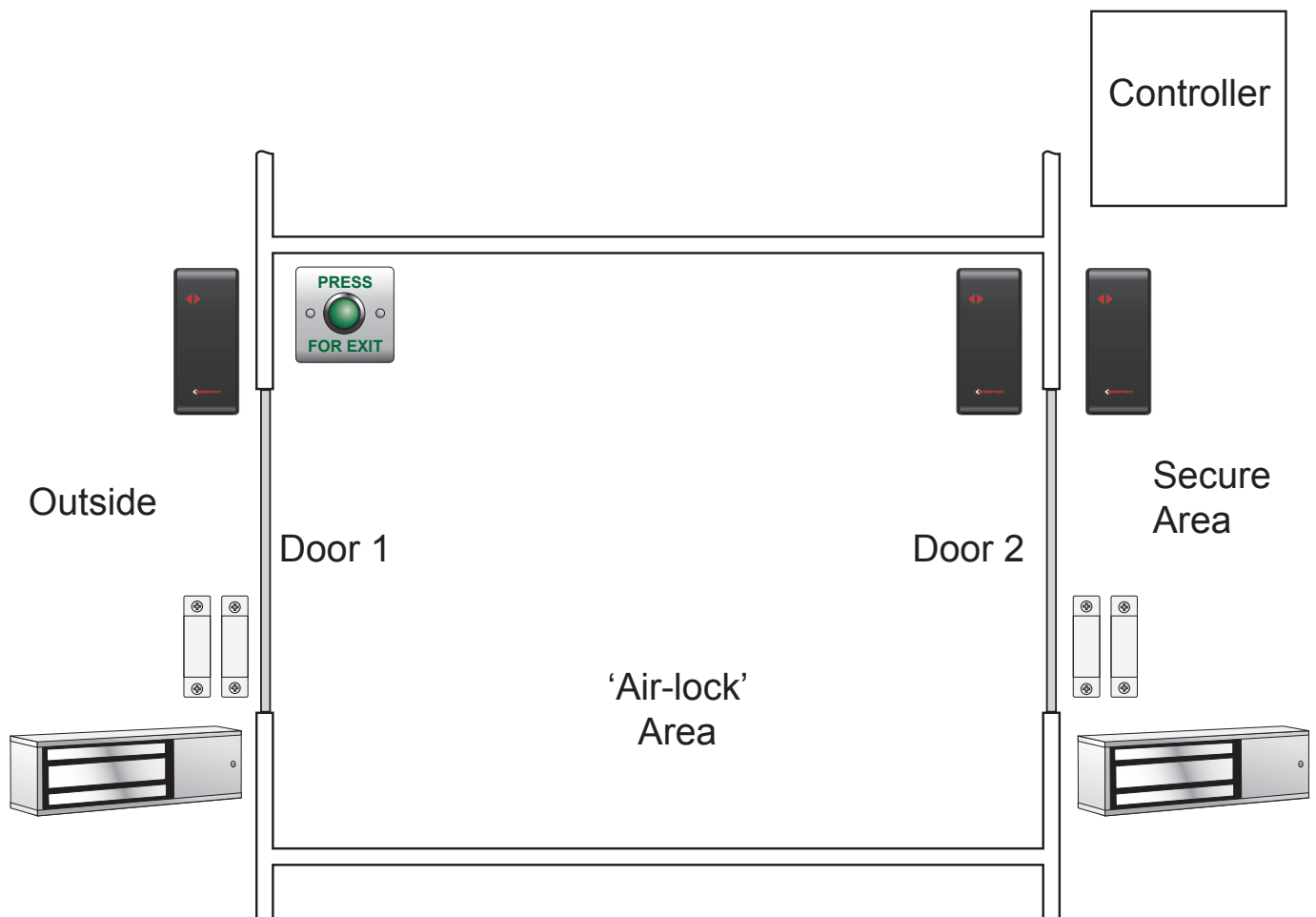
Norpass - Simple Two Door Interlocking System

Application:

Set-up and configuration of an interlocking system between 2 doors (air-lock). It is possible to ensure that a door cannot be unlocked when the opposite door is held open or is unlocked.

Hardware Overview

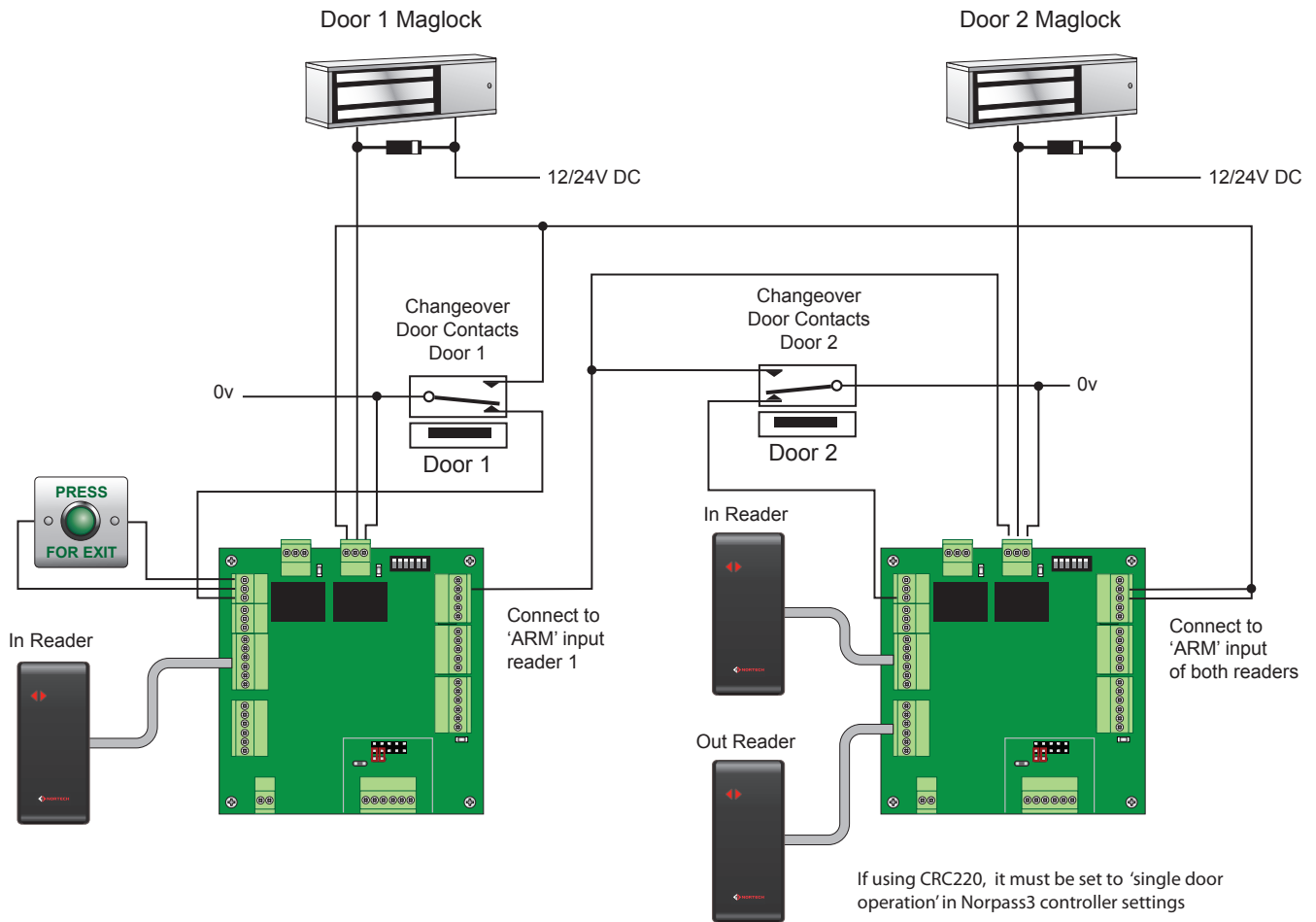
Changeover door contacts are required on each door to monitor the door status. Exit from the secure area can be via push button, door handle or card reader, depending on security requirements and lock types. The controllers must be wired so that GND is common.



Setup

Because the interlock feature is implemented almost entirely in hardware, there are no special software settings necessary except for setting the door 2 controller to 'Single Door' mode. Using Norpass3, set up each door as required. All security features can be implemented in the same way as for standard door operation.

Hardware Configuration



Notes:

1. Lock power rating must not exceed 30V, 1A
2. If suppression is not fitted at the lock, failure of the system could result. This could be noticed as problematic communications, memory loss, strange system behaviour or permanent damage to the relays. These problems will not be covered by our standard warrantee
3. For details of wiring the Alarm output, RS485, arming, Fire alarm or reader, please see the relevant application notes or manuals
4. The PSU enclosure and mains connection have been omitted for clarity

Related Application Notes: