

Norpass - Controller Setup, 2-Doors, Single Reader, Maglock

Application:

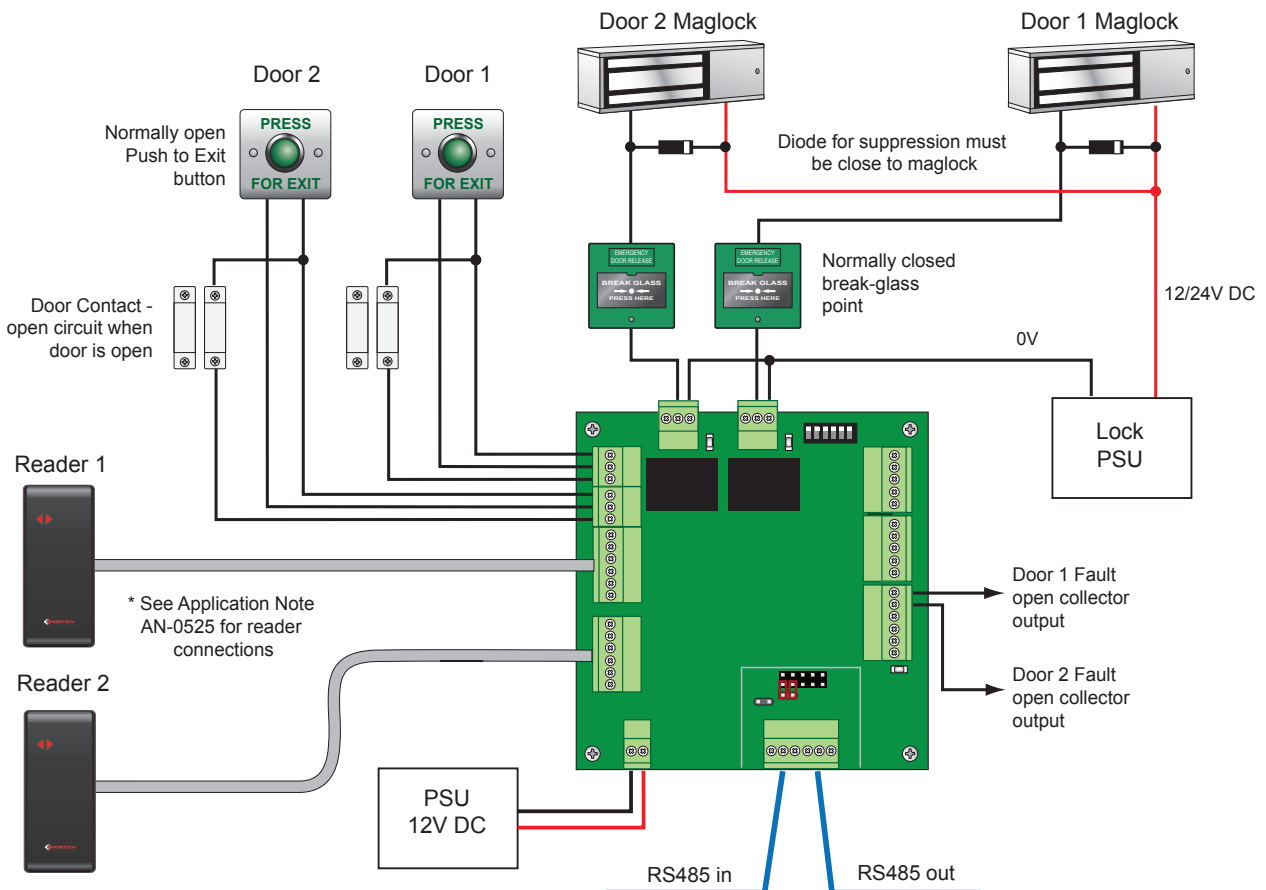
Set-up and configuration of two doors on a CRC220 controller, each door with read-in and push-button exit.

Scope

This note describes how to configure access control for two doors using the two reader interfaces on a CRC220 PCB.

Features such as anti-timeback, 'buddy mode' and 'PIN and Prox' may be applied to the door but are not covered here. Separate application notes are available for setting these features.

Hardware Configuration



Notes:

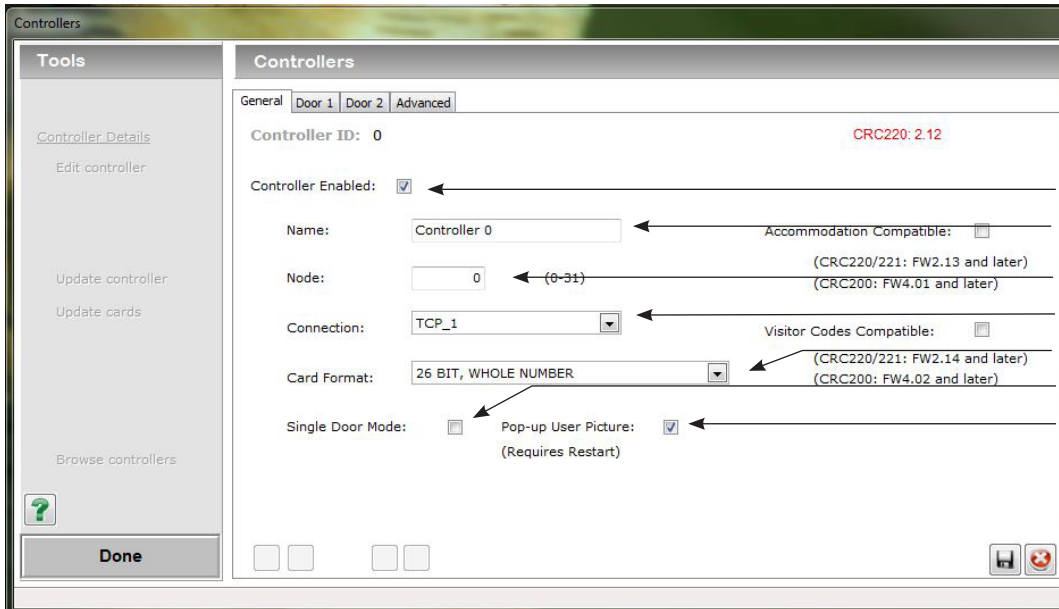
1. The maglock power rating must not exceed 30V, 1A.
2. Failure to fit suppression at the lock could result in failure of the system. The potential faults include problematic communications, memory loss, erratic system behaviour and permanent damage to the relays. These faults will not be covered by our standard warranty.
3. For details of wiring the alarm output, RS485, arming, fire alarm or reader, please see the relevant application notes or manuals.
4. The PSU enclosure and mains connection have been omitted for clarity.

Set-up

Log on to Norpass3 with installer rights. Select 'Controllers' from the 'Installer' menu.

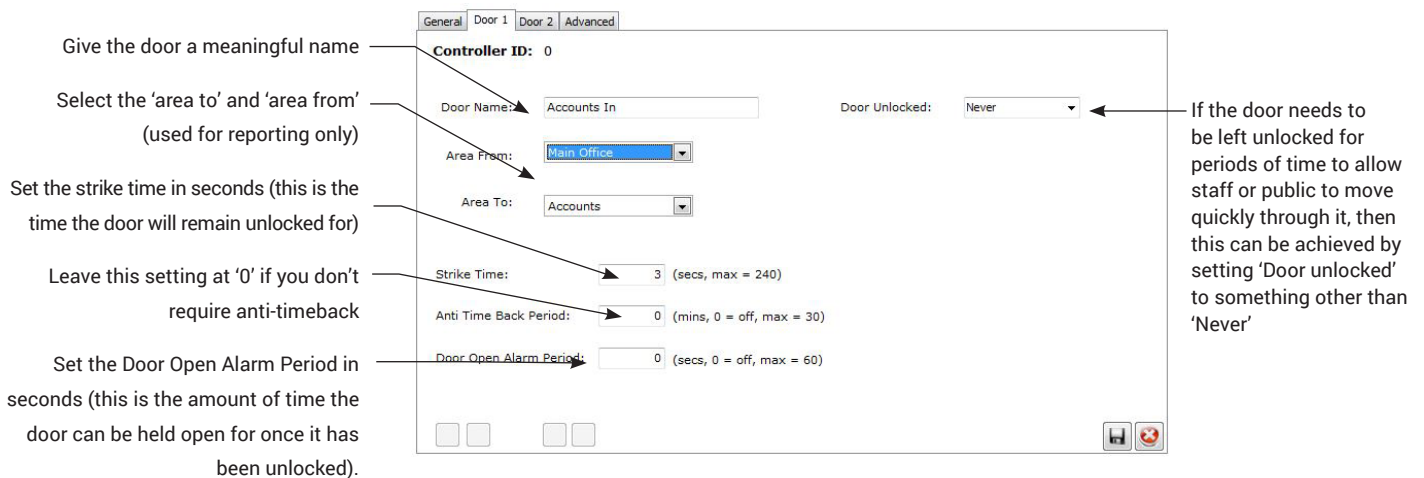
Note: If the controller has already been enabled, you have the option to right-click the associated icon in left pane of the main screen and then select 'controller set-up'.

Select 'Edit Controller' and then carry out the following:



- Enable the controller
- Give it a meaningful name
- Set the node (if required)
- Choose the communication port
- Select the card format
- Do 'not' select 'Single door mode'
- Picture pop-up can be selected if required

Select 'Door 1' tab:



Select 'Door 2' tab and repeat the process. Do not configure any of the settings under the 'Advanced' tab, but check that the 'Anti-passback' and 'Buddy Mode' boxes are not ticked if the features are not required. If you do wish to configure any advanced features, refer to the associated application notes.

Save the settings and exit the 'Controllers' window. If the controller is online, this will update the controller automatically. If the controller is not currently online, you will need to return and click 'update controller' when it is online.

Related Application Notes:

AN-0525-Connecting Nortech Readers